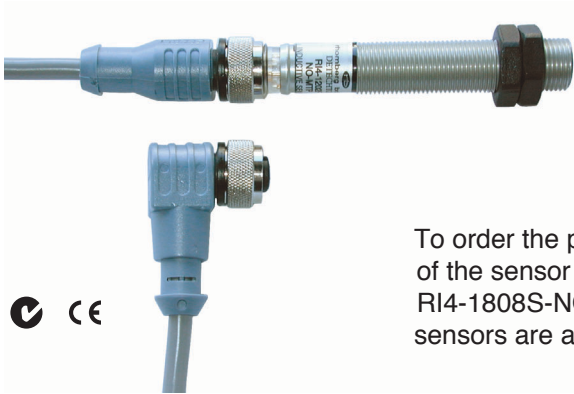


**Plug out and Plug in - it's that simple!!**

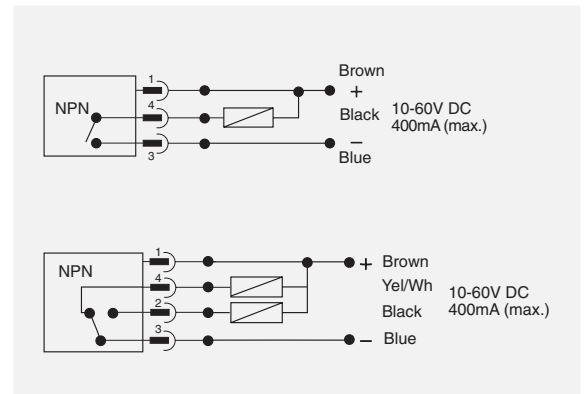
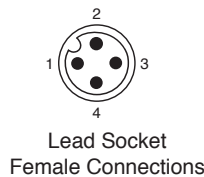
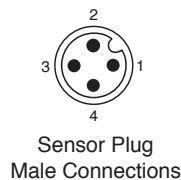
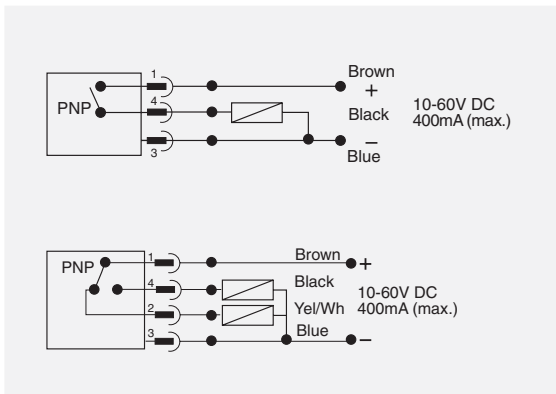


Most of the Rhomberg proximity sensors are now available in "plug" versions. This means that the sensor is supplied with a male plug instead of a moulded lead. The lead is supplied as a separate part. If the sensor requires replacement, simply unplug the old one from the lead and plug the new sensor in.

To order the plug versions of Rhomberg sensors, simply add "-MTP" at the end of the sensor code eg. an RI4-1808S-NO has a 2 metre moulded lead and an RI4-1808S-NO-MTP has a built-in plug (lead to be ordered separately). These sensors are also plug-in compatible with other brands of sensors.

The leads are ordered as follows:

Part Number	Description	Length
PL-4P-ST-3M	Lead (4-wire) with Straight Socket	3 metres
PL-4P-RA-3M	Lead (4-wire) with Right Angled Socket	3 metres



**Conductor Colours:**

1. Brown
2. White (only used in 4-wire NX sensors)
3. Blue
4. Black

**Specifications:**

- |              |                  |
|--------------|------------------|
| Sensor Plug: | M12 Male 4 pin   |
| Lead Socket: | M12 Female 4 pin |
| Lead Length: | 3 metres         |
| Rating:      | IP67             |